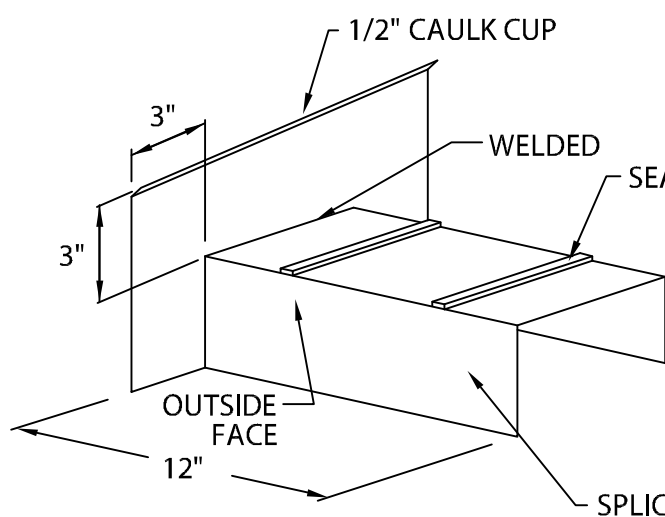
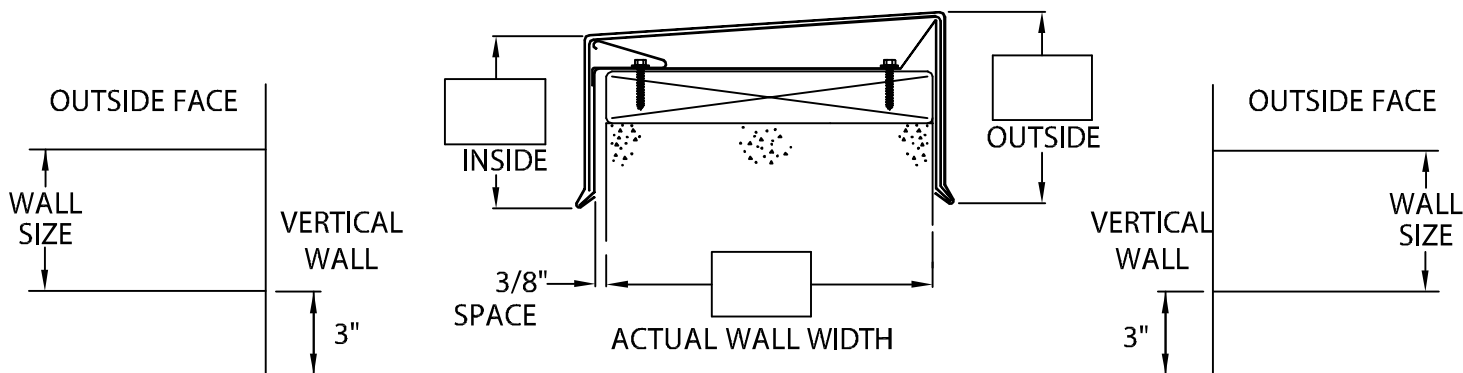
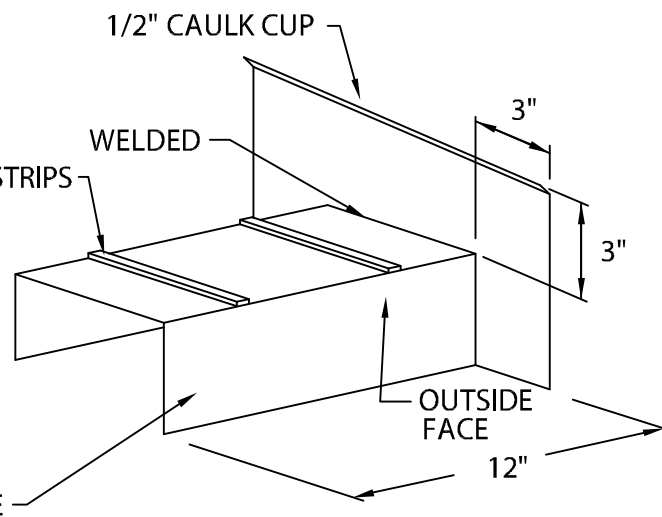


ENDWALL FLASHING

SPLICE PLATE VERSION



RIGHT END



LEFT END

DIRECTION IS DETERMINED AS SEEN FROM ROOF SIDE

MATERIAL:

.040" ALUMINUM

COLOR: _____

FINISH: _____

QUANTITIES:

_____ RIGHT END FLASHING

_____ LEFT END FLASHING

AUTHORIZED SIGNATURE:

APPROVED BY: _____

DATE: _____

PROJECT:

ARCHITECT:

ROOFING CONTRACTOR:

REPRESENTATIVE/DISTRIBUTOR:

CUSTOMER SERVICE

800-355-6416



DATE: 03/12/14

DRN BY: JJC

CKD BY: SAK

SHT.# ____ OF ____

DWG# 23011-4110

B